

Jizerská 50

🇬🇧 RACE INFORMATION 2020



MEMORIÁL
EXPEDICE PERU 1970

WORLDLOPPET
SKI AROUND THE WORLD

SKITOUR

VISMA
SKI CLASSICS

SCHEDULE



FRIDAY, 7 FEBRUARY 2020

- 9.00 a.m. **Children's race Pojišťovny VZP**
- 12.00 p.m. **Volkswagen Bedřichovská 30 – 30 km skating**
- 4.30 p.m. **Benzina Sprint – 1.5 km double poling**
- 6.00 p.m. Opening ceremony

SATURDAY, 8 FEBRUARY 2020

- 9.00 a.m. **Hervis Jizerská 25 – 25 km classic style**
- 9.15 a.m. **ČT Jizerská 10 – 10 km classic style**
- 3.00 p.m. **Company relay race**
- 5.00 p.m. Mass – Church of Saint Anthony, Bedřichov
- 6.00 p.m. ČEZ Energy fest – Portless, Divokej Bill*

SUNDAY, 9 FEBRUARY 2020

- 9.00 a.m. **ČEZ Jizerská 50 – 50 km classic style**
(8.50 a.m. start ELITE women)





TRANSPORT FOR RACERS AND SPECTATORS

TRANSPORT TO BEDŘICHOV

Friday – Bedřichov is open

Buses: line connections (for a fee) from Liberec and Jablonec nad Nisou according to the valid transport schedule

Private cars: you will pay for parking when exiting the parking lot (up to full capacity)

Saturday and Sunday – Bedřichov is closed from 6.00 to 10.00 a.m.

Buses: shuttle transport – Saturday free of charge only for racers in the Jizerská 10 and Jizerská 25; Sunday free of charge only for racers in the Jizerská 50 (the transport ticket included in the starting pack)

Liberec – only bus stop at the TJ Lokomotiva building	
Saturday	Sunday
6.00–9.00 a.m. (shuttle; after full boarding, another bus will arrive)	6.00–9.00 a.m. (shuttle; after full boarding, another bus will arrive)

	Jablonec nad Nisou – stop Pražská at the winter stadium		Janov nad Nisou – stop Samoobsluha	
	Saturday	Sunday	Saturday	Sunday
6	11, 41	11, 41, 56		
7	11, 41	11, 27, 41	07, 37	07, 37
8	11, 41	11, 41		
9		11		

Also bus no. 101 according to the transport schedule

Transport for spectators (for a fee): from Liberec: line no. 18; from Jablonec nad Nisou and Janov nad Nisou according to the transport schedule, see above

Private cars: parking in Bedřichov is possible only with a previously purchased parking card

Entry permit – parking on a privately owned lot: such permits are issued only by the municipality of Bedřichov (local residents, property owners/lessors)

TRANSPORT FROM BEDŘICHOV

Bedřichov – Liberec

Saturday from 11.00 a.m. to 2.30 p.m. by shuttle service, otherwise according to the transport schedule (an additional bus will arrive upon reaching full capacity)

Sunday from 11.00 a.m. to 5.00 p.m. by shuttle service, otherwise according to the transport schedule (an additional bus will arrive upon reaching full capacity)

Bedřichov – Jablonec nad Nisou

Saturday and Sunday – according to the line 101 transport schedule

PARKING LOTS (Saturday, Sunday)

Entry to the parking lots is permitted only with a parking card placed behind the wind-screen. Locations of parking lots, see map on page 37:

A1: Centrální parkoviště (Central parking) – in the starting area

A2: Maliník + Pod Maliníkem – 1.5 km / 20-minute walk

A3: Hřiště – 1.3 km / 20-minute walk



RACERS' CLOTHING

Together with the starting number, every racer will receive a bag for their clothing marked with a number (please check whether the number on the bag is the same as your starting number). Properly close the bag with the enclosed cord. The filled bag may not weigh more than 3 kg. Leave the marked bag in clothes depository. Upon arriving at and exiting the finish area, the bag will be returned to the racer based on the presented starting number.

The depository is ensured for as long as the racer is on the trail. It is not possible to return the bag in the clothes depository after pickup!

The organizer shall not bear responsibility for the loss of any items.

Lost and found – see map on page 37.

ORGANISATION OF THE START

All racers are obliged to have their skis marked with the enclosed stickers.

30 km

Start in waves; en masse for each wave – time is measured from the starting shot for each wave (12.00–12.10 p.m.). Sensor mat – start, serves only for checking racers at the starting line). See the drawing on page 32.

25 km

Racers are divided into two waves according to their performance level. Entrances to the waves are marked with the starting numbers that belong to the waves. The racers start en masse with skis affixed – time is measured from the starting shot at 9.00 a.m. See the drawing on page 32.

10 km

The racers start en masse with skis affixed – time is measured from the starting shot at 9.15 a.m.



50 km

The Elite category women start at 8.50 a.m. Time is measured from the starting shot. Time for the Elite men and the first wave is measured from the starting shot at 9.00 a.m. The racers shall be ready with skis affixed in the area designated for them. Entry into the Elite and first wave closes at 8.55 a.m., five minutes before the starting shot. The starting field is divided into eight starting waves according to performance level. For each wave, there is a separate entrance marked with starting numbers that belong to the given wave. Racers from the 2nd-8th waves enter the waves holding their skis. Time for racers from the 2nd-8th waves is measured from a sensor mat + a 30-second handicap. See the drawing on page 33 for the starts of individual waves. Entries into corridors 6, 7 and 8 for the 50 km race 15 minutes before the start of these waves. Thank you for your cooperation.

MEASURING CHIPS

The measuring chips for the children's races, 10, 25, 30 and 50 km race are stuck on the starting bib. Do not peel them off. You do not have to return the chip after the race.

For sprint and company relay, the chips are borrowed by competitors. Every racer is required to affix the chip to his/her left ankle. If a racer participates in the race without a measuring chip, they will not be included in the results list. The racer is obligated to return the chip immediately upon crossing the finish line in the finish area. (If a racer obtains a starting number and does not participate in the race, he/she is obligated to return the chip during issuance of numbers or in the finish area near the judges or at the lost and found). In the case of failure to return a chip (or loss of a chip), the racer will be charged a penalty of CZK 500.

Non-official results will be posted in the finish area and continuously updated. The results will be continuously updated at www.jiz50.cz. Racers who provide their telephone numbers will be informed of their time by a text message upon crossing the finish line.

INSPECTION

Scanning inspection stations will be placed on the trail. The racer is obligated to pass through these stations. In the event a racer does not pass through the stations, he/she will not be judged. If a racer uses a style other than classic in the J10, J25 and J50, they will be disqualified.

COLLECTION BUS (50 KM)

SMĚDAVA – limit 2.15 p.m. (the collection bus departs at 3.00 p.m. LATEST)

REFRESHMENT STATIONS

Friday 30 km – Kristiánov (until 1.00 p.m.), Hřebínek (until 3.00 p.m.), finish

Saturday 10 km – Za Přehradou (until 10.15 a.m.), finish



Saturday 25 km – Kristiánov (until 10.00 a.m.), Hřebínek (until 12.00 p.m.), finish

Sunday 50 km – Kristiánov, Hraniční, Jizerka (until 1.00 p.m.), Smědava (until 2.15 p.m.), Hřebínek, finish

(Refreshment stations on the trail are closed concurrently with the time limits on the trail; the refreshment stand at the finish closes 30 minutes after the time limit).

WORLDLOPPET

Holders of WL passes can have their participation confirmed in the finish area (see map).

Friday 7 February 2020 – after completing the B30 in Bedřichov from 1.30 p.m. to 4.30 p.m.

Saturday 8 February 2020 – after completing the J25 in Bedřichov from 10.30 a.m. to 1.30 p.m.

Sunday 9 February 2020 – after completing the J50 in Bedřichov from 11.00 a.m. to 5.30 p.m.

MOUNTAIN RESCUE SERVICE

Every skier participates in the race at his or her own risk – health issues or injuries occurring during the race and requiring treatment will not be paid for by the organiser. The Mountain Rescue Service station is located in the vicinity of the stadium (page 37). In the event of an injury, please call +420 1210 or the emergency number 112. Participants will have injury insurance arranged with Pojišťovna VZP.

OPENING HOURS OF THE FACILITIES AT THE STADIUM



Refreshments for racers

7 February 2020: 1.00 p.m. – 4.00 p.m.

8 February 2020: 10.00 a.m. – 2.00 p.m.

9 February 2020: 11.00 a.m. – 5.30 p.m.



Registration 7 February 2020

Mini Jizerská PVZP: 7.00 a.m. – 8.00 a.m.

VW Bedřichovská 30: 7.00 a.m. – 11.00 a.m.

Benzina Sprint: 11.00 a.m. – 3.30 p.m.



Cloakroom

7 February 2020: 7.00 a.m. – 6.00 p.m.

8 February 2020: 7.00 a.m. – 2.00 p.m.

Company zone: 12.00 p.m. – 6.00 p.m.

9 February 2020: 6.00 a.m. – 5.30 p.m.



Registration 8 February 2020

Company relay: 12.00 p.m. – 2.00 p.m.



Ski storage

7 February 2020: 10.30 a.m. – 4.30 p.m.

8 February 2020: 7.00 a.m. – 2.00 p.m.

9 February 2020: 7.00 a.m. – 5.30 p.m.



WASTE ZONES



The competitor must not throw trash on the course outside the marked zones located near the refreshment stations. **There are sanctions for violation of the rule – plus 30 minutes.** The competitor is disqualified after serious or repeating violations. Please respect the rule and keep the mountains without trash.

WAVE

VW Bedřichovská 30 – 30 km FT
START 7. 2. 2020: 12.00

Checkpoint Time Limits:

13.00 KRISTIÁNOV
 15.00 HŘEBÍNEK
 16.00 CÍL/FINISH

Hervis Jizerská 25 – 25 km CT
START 8. 2. 2020: 9.00

Checkpoint Time Limits:

10.00 KRISTIÁNOV
 12.00 HŘEBÍNEK
 13.00 CÍL/FINISH

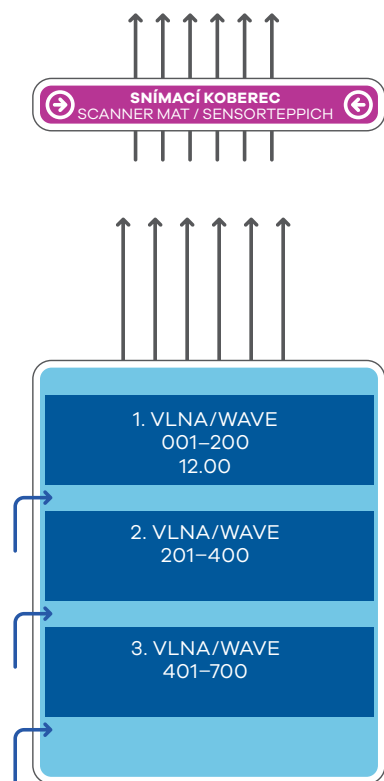
ČT Jizerská 10 – 10 km CT

START 8. 2. 2020: 9.15

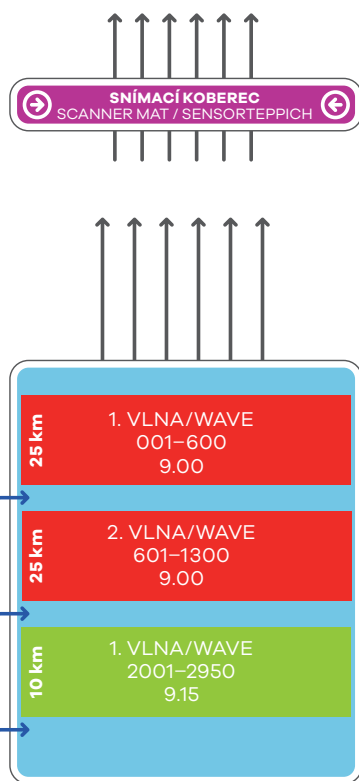
Checkpoint Time Limits:

12.00 CÍL/FINISH

**HROMADNÝ START
 PO VLNÁCH / MASS START
 IN WAVES**



ENTRANCE: 11.30

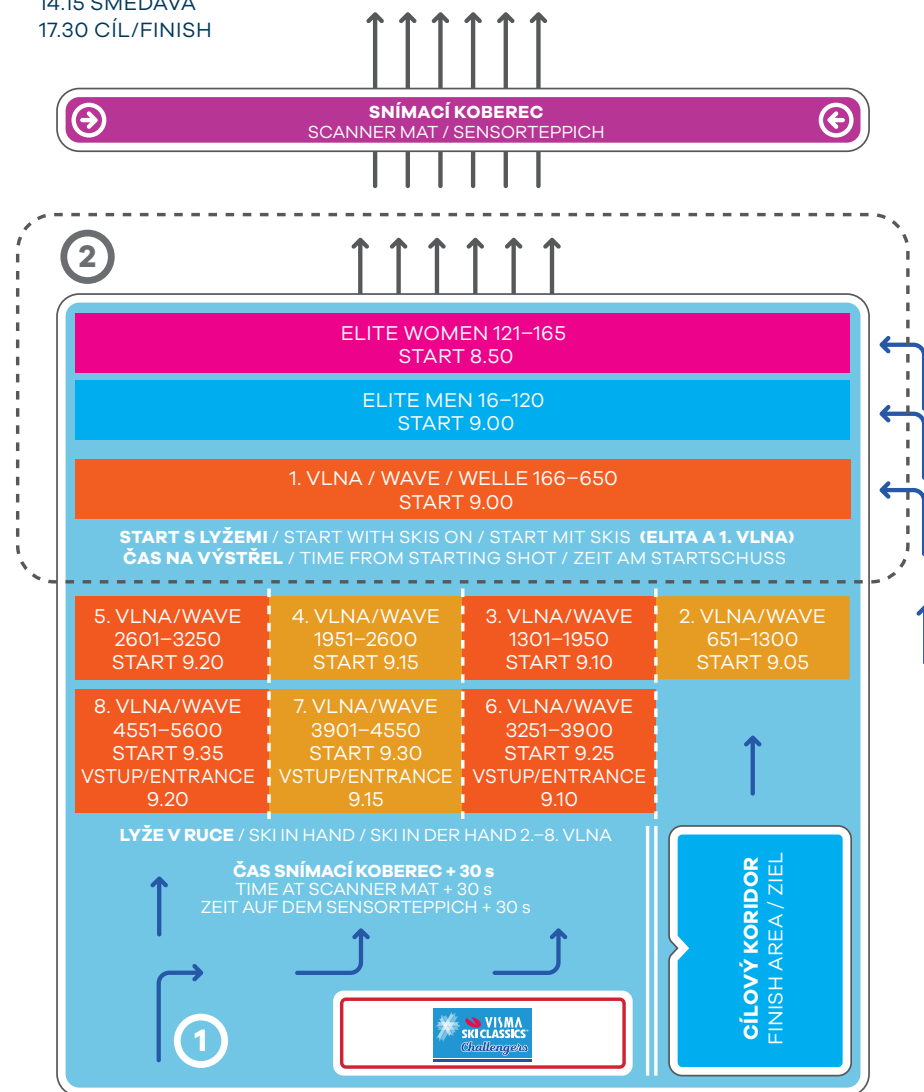


ENTRANCE: 8.00

ČEZ Jizerská 50 – 50 km CT
START 9. 2. 2020: 9.00

Checkpoint Time Limits:

13.00 JIZERKA
 14.15 SMĚDAVA
 17.30 CÍL/FINISH



1 entrance to the waves without skis

2 area for putting skis on

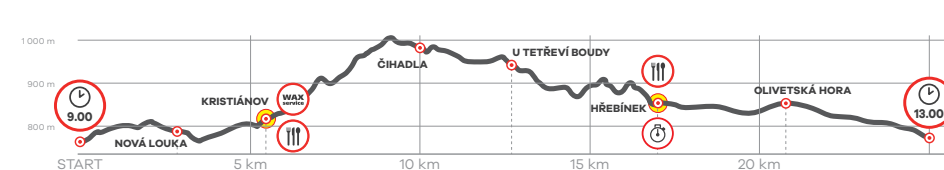
50 km 25 km



ČEZ Jizerská 50 – 50 km CT



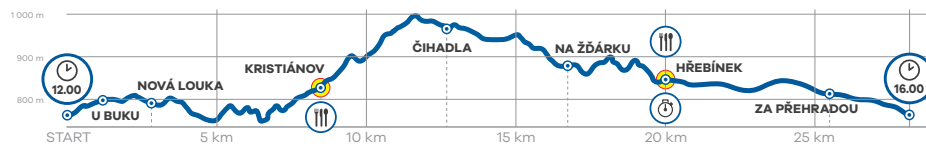
Hervis Jizerská 25 – 25 km CT



30 km 10 km



Volkswagen Bedřichovská 30 – 30 km FT



ČT Jizerská 10 – 10 km CT



START & FINISH AREA



- refreshment for racers
- cloakroom
- clothes depository
- ski depository
- Hervis
- Enervit
- ski-waxing Swix
- information – souvenirs
- Volkswagen Commercial vehicles grandstands (free wi-fi zone)
- ČEZ Energy zone
- Skiclassics truck
- rescue
- A1–A3 parking
- VIP
- winners' podium
- lost and found
- Worldloppet passports + registration
- toilets
- bus stop
- Mountain Rescue Service +420 12 10
- Access to the trail